

Comparative Analysis of Low Power Full Adders and 4×4 Vedic Multipliers

Naveen Raman

Department of Electronics and Communication Engineering, Info Institute of Engineering,
Coimbatore, Tamil Nadu, India

Abstract: The design of low power multipliers is the basic necessity for the design and the implementation of efficient power aware devices. Multipliers play a major role in digital signal processing applications. In multiplication, reliability is strongly affected by power consumption. Here Vedic multiplier is designed by the principles of Vedic Mathematics which is the ancient Indian system of mathematics. In this study four 4×4 Vedic multipliers are designed based on four different logic full adders such as 28T, TGFA, 14T and 16T. These multipliers and full adders were designed and simulated using microwind 2 electronic design automation tool with 0.12 μm technology. Finally a comparison is made on the performance of full adders and Vedic multipliers based on power consumption and transistor count.

Key words: Full adder, Vedic multiplier, power consumption, digital signal processor, CMOS

INTRODUCTION

As the range of integration keeps growing, more and more sophisticated signal processing systems are being implemented on a VLSI chip. Most of the signal processing applications not only demand great computation capacity but also consume considerable amount of energy. Hence, power consumption has become a critical aspect in today's VLSI system design. The need for low-power circuits arises from two main factors: First, due to high operating frequency and processing capacity per chip, delivering of large currents, heat emitted due to large power consumption and the need for proper cooling techniques. Second, due to the limited battery life in portable electronic devices. Low power design directly leads to prolonged operation time in these portable devices. Multiplication is the basic operation in ALU unit most signal processing algorithms. Multipliers have long latency, large area and consume more power. Therefore, design of low power multipliers play an important role in low power VLSI system design (Sze, 1988).

Multiplier functions as an important element of the digital signal processor and in various other applications. The performance of the digital signal processor can be improved only based on the performance of the multiplier. With advances in technology researchers are trying to design multipliers which offer either of the following design targets; low power consumption, high speed, regularity of layout, small area and even combination of these in one multiplier. A multiplier is one of the key hardware blocks in most Digital Signal Processing

(DSP) systems. Multiplier plays an important role in digital filtering, digital communications and spectral analysis.

Many DSP applications are targeted at portable battery operated systems so the power dissipation becomes one of the essential primary design constraints. Since multipliers are complex circuits and must typically operate at a high system clock rate, so reducing the delay of a multiplier is a crucial part of satisfying the overall design (Garg and Rai 2012). Moreover, application specific integrated circuits rely on efficient implementation of the arithmetic circuits required in the execution of the algorithms. Also, the increase in the number of transistor results in the increase in the complexity of the arithmetic circuits thus leading to more power consumption.

Consequently, the design of low power multipliers is a basic necessity for the design and implementation of efficient power aware devices. This serves as a motivation in the design of low power VLSI circuits. But, reducing the power consumption and enhancing the circuit design pose challenges in the multiplication and accumulation. Hence, the need for research on dynamic power reduction and static power reduction in the design of circuits become evident. Researchers have recognized the importance of designing low power multipliers. Some research has resulted in low power circuit designs for multipliers. This research has focused on designing low power multipliers using four such circuit designs.

MATERIALS AND METHODS

Vedic multiplier: Vedic Mathematics (VM) is the name given to the ancient Indian system of mathematics that

was rediscovered in early 20th century. VM is mainly based on 16 principles or word formulae which are termed as Sutras (Kumar and Charishma 2012). A simple Vedic multiplier architecture based on the Urdhva Triyagbhyam (Vertically and Cross wise) Sutra is presented. This Sutra was traditionally used in ancient period of India for the multiplication of two decimal numbers in relatively less time. The hardware of the Vedic multiplier is shown to be very much similar to that of the array multiplier. It is also equally likely that many such applications might come up from the storehouse of knowledge Veda, if investigated properly.

VM is part of four Vedas (books of wisdom). It is part of Sthapatya-Veda (concepts of Civil Engineering and Architecture) which is an upa-veda of Atharva Veda. It covers explanation of several modern mathematical terms including arithmetic, geometry trigonometry, quadratic equations, factorization and even calculus. After extensive research in Atharva Veda, 16 sutras (formulae) and 16 Upa sutras (sub formulae) were constructed. The very word 'Veda' has the derivational meaning of fountain head and illimitable storehouse of all knowledge. VM is the name given to the ancient system of mathematics which has unique technique of calculations based on simple rules and principles with which many mathematical problems can be solved (Poornima *et al.*, 2013).

The system is based on 16 Vedic sutras or aphorisms, which are actually word formulae describing simple natural ways of solving a whole range of mathematical problems. The beauty of VM lies in the fact that it reduces the otherwise cumbersome looking calculations in existing mathematics to a very simple one. This is so because the Vedic formulae based on the principles of human mind works. This is a very interesting area and presents some effective algorithms which can be applied to various fields of engineering such as computing and digital signal processing.

Multiplication methods are extensively discussed in Vedic Mathematics. Various interesting tricks and short cuts are suggested by VM to optimize the process. These methods are based on concept of one multiplication using deficits and excess two changing the base to simplify the operation. Various methods of multiplication proposed in VM are:

- Urdhva Tiryagbhyam-vertically and crosswise
- Nikhilam Navatashcharamam Dashatah: All from nine and last from ten
- Anurupyena: Proportionately Vinculum

The hardware architecture of 2x2 and 4x4 bit Vedic multiplier module are displayed. Here, Urdhva Tiryagbhyam (vertically and crosswise) sutra is used to propose such architecture for the multiplication of two

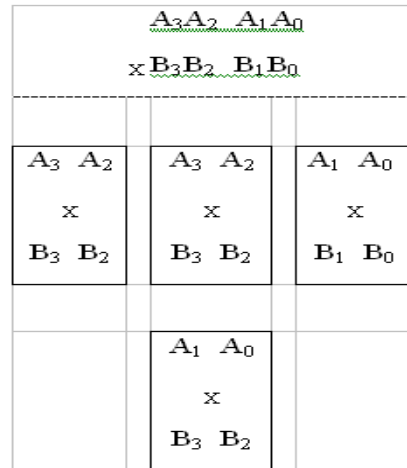


Fig. 1: 4x4 Vedic multiplier

binary numbers. The beauty of Vedic multiplier is that here partial product generation and additions are done concurrently. Hence, it is well adapted to parallel processing. The feature makes it more attractive for binary multiplications. This in turn reduces power which is the primary motivation behind this work.

The 4x4 bit Vedic multiplier module shown in Fig. 1 is implemented using four 2x2 bit Vedic multiplier modules. The inputs of the module are $A = A_3 A_2 A_1 A_0$, $B = B_3 B_2 B_1 B_0$ and output is $S_7 S_6 S_5 S_4 S_3 S_2 S_1 S_0$. Here A and B are divided into two parts that is $A_3 A_2$ and $A_1 A_0$ for A and $B_3 B_2$ and $B_1 B_0$ for B.

Each block as shown is 2x2 bit Vedic multiplier. First 2x2 bit multiplier inputs are $A_1 A_0$ and $B_1 B_0$. The last block is 2x2 bit multiplier with inputs $A_3 A_2$ and $B_3 B_2$. The middle one shows two 2x2 bit multiplier with inputs $A_3 A_2$ and $B_1 B_0$ and $A_1 A_0$ and $B_3 B_2$. So, the final result of multiplication, which is of 8 bit, $S_7 S_6 S_5 S_4 S_3 S_2 S_1 S_0$. To get final product ($S_7 S_6 S_5 S_4 S_3 S_2 S_1 S_0$), four 2x2 bit Vedic multiplier and three 4-bit Ripple-Carry (RC) Adders are required (Anju Agarwal 2013). This Vedic multiplier can be used to reduce delay. Early literature speaks about Vedic multipliers based on array multiplier structures. But, this architecture is efficient in terms of speed and parallel processing. Interestingly, 8x8 Vedic multiplier modules are implemented easily by using four 4x4 multiplier modules.

RESULTS AND DISCUSSION

Design of vedic multipliers using various logic full adders

Vedic multiplier based on 28T full adder: Adders form to be an important component in the applications such

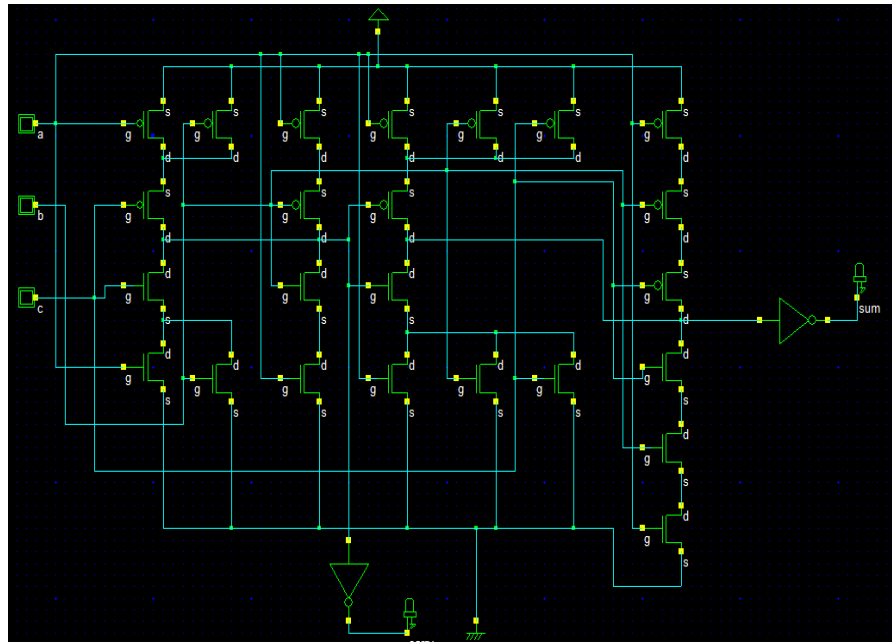


Fig. 2: The 28T Full adder

as digital signal processing and microprocessors architectures. The importance of the digital computing lies in the full adder design (Naveen *et al.*, 2014). Conventional three bit full adder consists of 28 transistors and is shown in Fig. 2. CMOS implementation consists of two functional blocks, pull-up and pull-down. Pull-up block is implemented with P-channel MOS transistors and pull-down block is implemented with N-channel MOS transistors. The most essential advantages of this full adder was its high noise margins and thus reliable operation at low voltages (Damle *et al.*, 2013). The layout of CMOS gates was also simplified due to the complementary transistor pairs. The high noise margin and voltage scaling design makes them highly advantageous over others. Due to complementary relationship between pull-up and pull-down functional block, the combination of which turns OFF the pull-up transistor will turn ON the pull down block and vice-versa. This eliminates the possibility of occurring floating output. Pull down functional block is constructed using nMOS devices whereas, pMOS devices are used for pull up functional block. The main reason for this choice is that nMOSFET transistors produce strong '0' and pMOSFET transistors give strong '1'. A pMOS switch is able to charge the output to vdd and nMOS fails to raise the output above (vdd to vtn). In CMOS logic, all switches in pull-up block are implemented by using pMOS transistors whereas in pull-down network, all switches are implemented by using nMOS transistors. A 4x4 Vedic multiplier is designed based on this 28 T full adder and it

is shown in Fig. 3. The design has four 2*2 Vedic multipliers, three ripple carry adders and addition is performed by using 28T full adder.

Vedic multiplier based on TGFA: A CMOS transmission gate shown in Fig. 4 is created by connecting an nFET and pFET in parallel. The nFETMn is controlled by the signals while the pFETMp is controlled by the complement. When wired in this manner, the pair acts as a electrical switch between the input variable x and the output variable y, respectively. The operation mode of the switch can be easily understood by analyzing the two cases for s. If s = 0, the nFET transistor is OFF; since s = 1, the pFET transistor is also OFF, so that the Transmission gate acts as an open switch. The transmission gate based full adder produces outputs of correct polarity for both sum and carry with the disadvantage of high power consumption. The circuit has two inverters followed by two transmission gates which act as 8T-XOR (Chede *et al.*, 2010). It is the fastest adder and is also simpler compared to conventional adder.

The 4x4 Vedic multiplier with Transmission Gate Full Adder as shown in Fig. 5 has less transistor count when compared to the conventional adder. It also consumes less power when compared to the conventional full adder. An important electrical feature of the transmission gate is that there are no direct signal connections to the power supply or ground. Transmission gate appears to be an RC

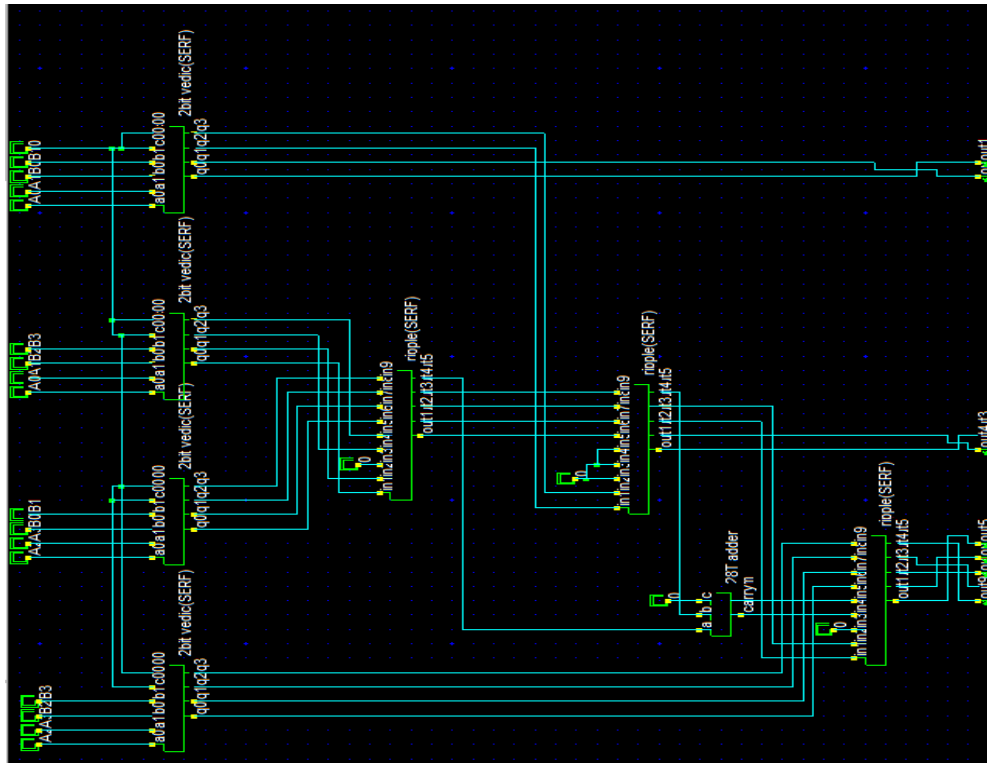


Fig. 3: Vedic multiplier based on 28T full adder

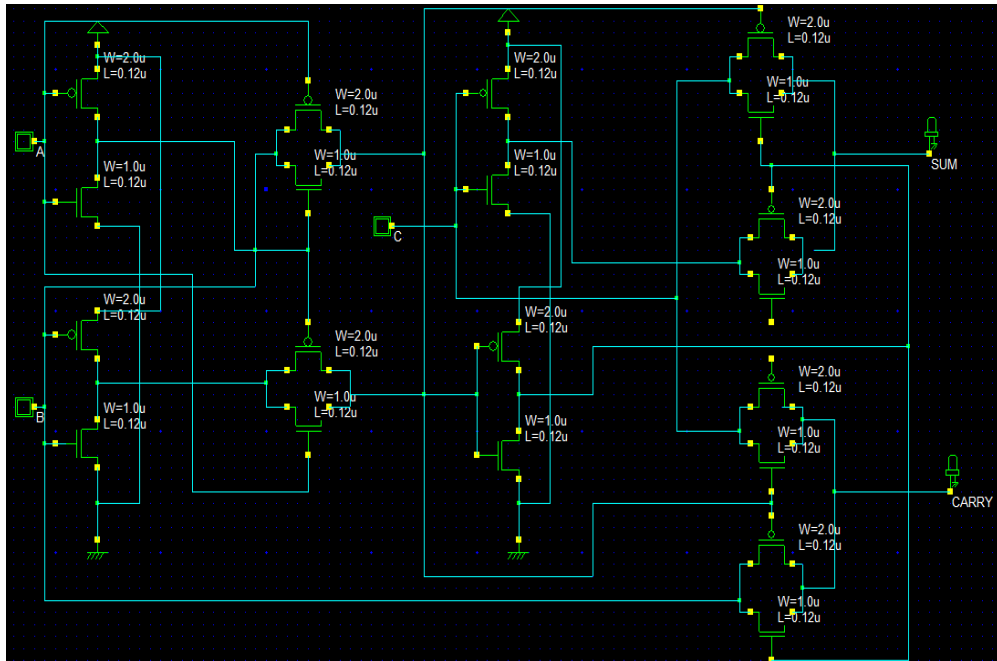


Fig. 4: TGFA

parasitic to the driving gate so the response is slower than if the transmission gate were absent. Additional buffer circuits are thus needed to maintain the speed.

Vedic multiplier based on 14T full adder: The improved 14T adder cell requires only 14 transistors to realize the adder function and is shown in Fig. 6 (Vigneswaran *et al.*

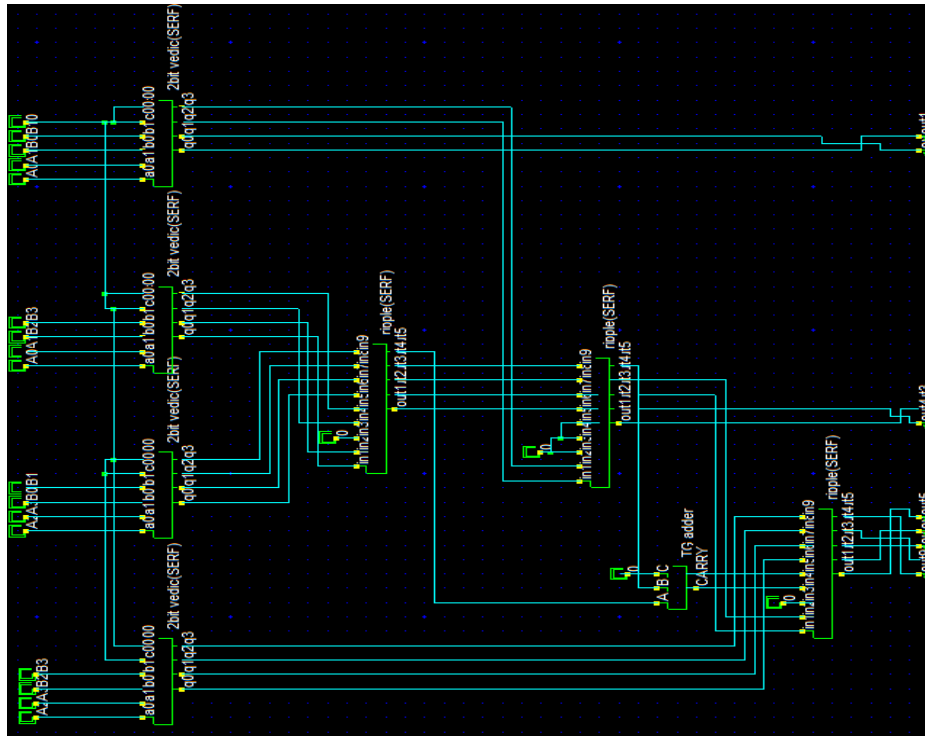


Fig. 5: Vedic multiplier based on TGFA

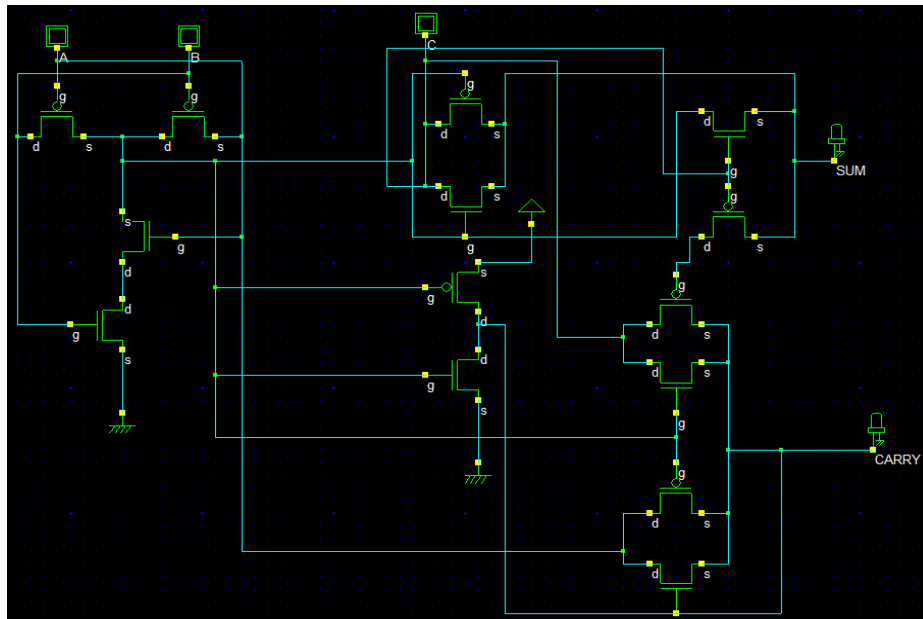


Fig. 6: The 14T Full adder

2006). It produces better result in threshold loss, speed and power by sacrificing four extra transistors per adder cell. Even though, the number of transistor increases by four per adder cell, it reduces the threshold loss problem, which exists in the previous discussed adders by

inserting the inverter between XOR Gate outputs to form XNOR gate. The 14T full adder contains a 4T pass transistor logic XOR gate, an inverter and two transmission gates based multiplexer designs for sum and carry signals. This circuit has only 4 transistors XOR

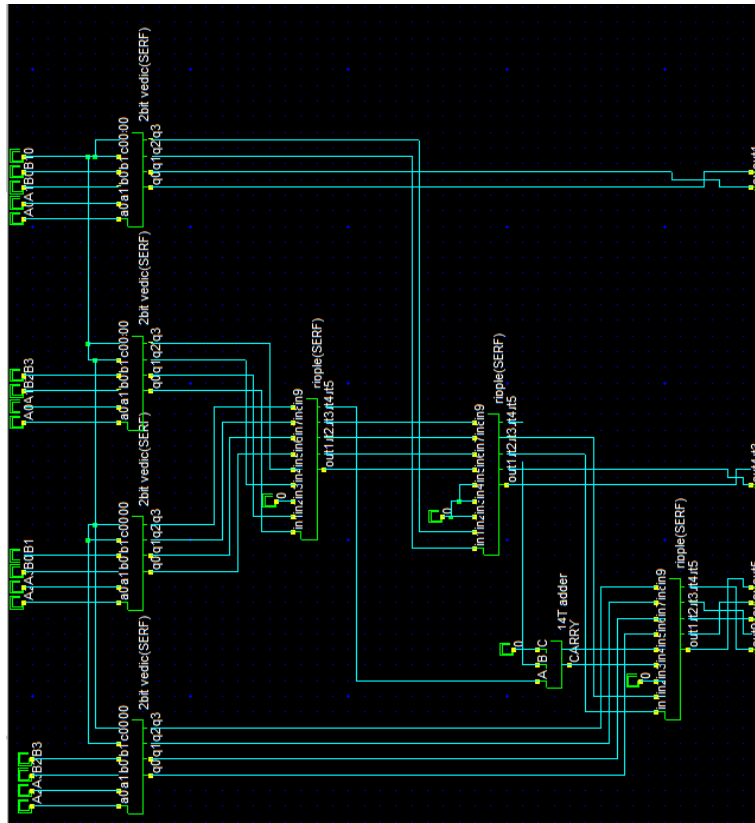


Fig. 7: Vedic multiplier based on 14T full adder

function which in the next stage is inverted to produce XNOR function. These XOR and XNOR functions are used simultaneously to generate sum and carry. The signals C and Cbar are multiplexed which can be controlled either by A XNOR B or A XOR B. Similarly the carry can be generated by multiplexing A and C controlled by A XOR B. The significant advantage of this 14T adder is that it is the fastest and simpler than conventional full adder. The major disadvantage of this full adder is the power dissipation which is large when compared with the conventional adder. However, with same power consumption it performs faster. The Vedic multiplier with 14T full adder as shown in Fig. 7 is one of the area efficient multiplier design when compared with the conventional adder and transmission gate adder. The 14T adder consists of 14 transistors. The circuit has two inverters followed by two transmission gates which act as 8T-XOR.

Vedic multiplier based on 16T full adder: CMOS employs both n-type and p-type transistors to realize logic functions. Today, CMOS technology has carved a niche for itself as the feasible semiconductor VLSI technology for microprocessor, memories and ASICs.

A 16T adder is shown in Fig. 8. It is an improved version from 14T. It is the same as 14T in terms of the output modules. However, the XOR-XNOR functional module has been modified to reduce power consumption and delay.

The 4×4 Vedic multiplier with 16T Full adder as shown in Fig. 9 has XOR-XNOR modules does not have full-swing outputs thus, the transistors which have been connected to this functional module are turned ON or OFF slowly.

The circuit operates with full swing voltage output but consumes significant power and has more delay compared to adders having less transistor count. It uses the low-power designs of the XOR and XNOR logic gates, transmission gates and pass transistors. Eliminating an inverter and the short circuit power component in addition to reducing cell capacitances would result in low power consumption and delay.

The 4×4 Vedic multiplier was design using 28T, TGFA, 14T and 16T Full adder logics. Initially these adders were designed, simulated and a comparison is made on the performance of these four adders based on transistor count and power consumption as depicted in

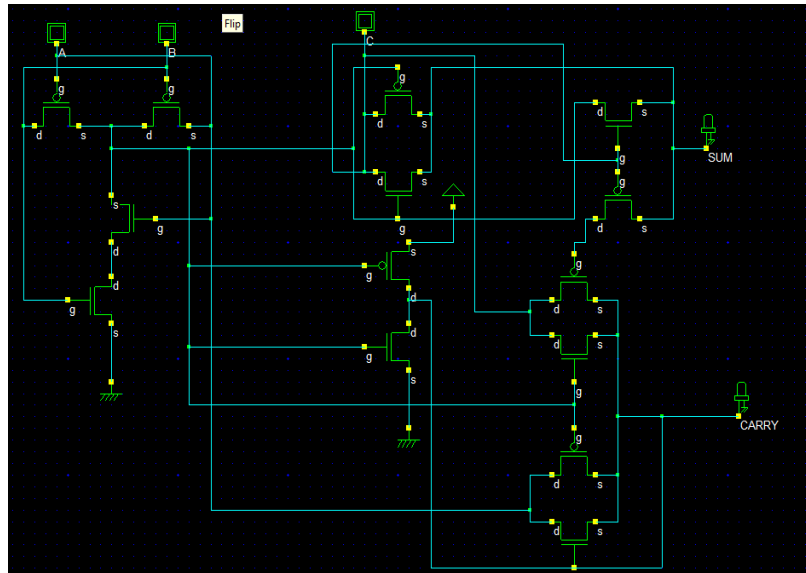


Fig. 8: The 16T Full adder

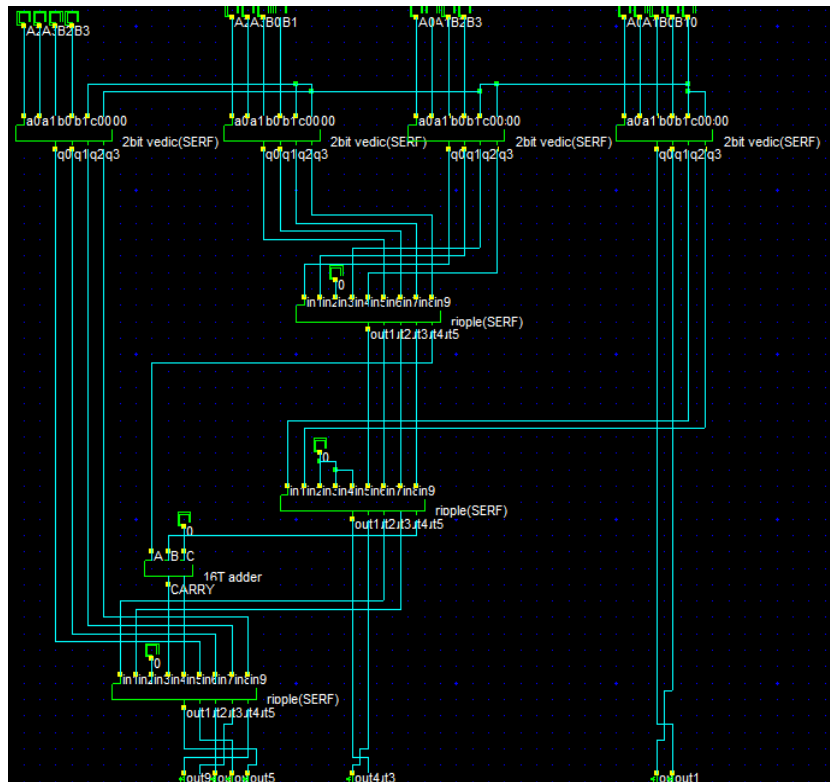


Fig. 9: Vedic multiplier based on 16T full adder

Adder	Transistor count	Power consumption (nW)
Conventional adder	28	91.66
TG adder	20	51.82
14T adder	14	207.4
16T adder	16	85.04

Table 1. The 4 Vedic multipliers based on above mentioned adders were designed using DSCH2 tool and the results were simulated using 0.12μm technology in Microwind 2 Tool. Finally, a comparison of the performance of the Vedic

Table 2: Comparison on the performance of vedic multipliers

Vedic Multiplier	Transistor count	Power consumption (mW)
28T Full adder	588	0.723
TGFA	420	0.671
14T Full adder	294	0.587
16T Full adder	336	0.510

multipliers is made based on the transistor count and power consumption which is tabulated in Table 2.

CONCLUSION

Digital multipliers are the core components of high performance systems, whose performances are generally determined by the performance of the multiplier. Multiplier is the main key structure for designing an energy efficient processor and a multiplier design decides the efficiency of a digital signal processor. Most of the signal processing applications not only demand great computation capacity, but also consume considerable amount of energy. Hence, power consumption has become a critical aspect in today's VLSI system design and the design of low power multipliers plays an important role in low power VLSI system design. The 4x4 Vedic multiplier was designed based on four different full adders namely 28T, TGFA, 14T and 16T. The power consumption and transistor count of the these Vedic multipliers were simulated using 0.12µm technology in Microwind 2 Tool. The overall comparison of the performance of the four Vedic multipliers was performed. Based on the comparison, the Vedic multiplier with 14T full adder has less transistor count and Vedic multiplier with 16T full adder has less power consumption.

REFERENCES

- Agarwal, A., 2013. FPGA implementation of low power and high speed vedic multiplier using vedic mathematics. *IOSR. J. VLSI. Signal Process.*, 2: 51-57.
- Chede, S., K. Kulat and R. Thakare, 2010. A significance of vlsi techniques for low power real time systems. *Intl. J. Comput. Appl.*, 1: 88-93.
- Damle, M.B., D.S. Limaye and M.G. Sonwani, 2013. Comparative analysis of different types of full adder circuits. *IOSR J. Comput. Eng.*, 11: 01-09.
- Garg, D. and M.K. Rai, 2012. CMOS based 1-bit full adder cell for low-power delay product. *Intl. J. Electron. Commun. Comput. Technol.*, 2: 18-23.
- Kumar, G.G. and V. Charishma, 2012. Design of high speed vedic multiplier using vedic mathematics techniques. *Intl. J. Sci. Res. Publ.*, 2: 1-5.
- Naveen, R, K. Thanushkodi, R. Preethi and C. Saranya, 2014. A survey of low power wallace and dadda multipliers using different logic full adders. *Intl. J. Res. Eng. Technol.*, 3: 320-329.
- Poornima, M., S.K. Patil, S.K. Shivukumar and H. Sanjay, 2013. Implementation of multiplier using Vedic algorithm. *Intl. J. Innovative Technol. Exploring Eng.*, 2: 219-223.
- Sze, S.M., 1988. *VLSI Technology*. 2nd Edn., McGraw Hill, New York, USA.,.
- Vigneswaran, T., B. Mukundhan and P.S. Reddy, 2006. A novel low power, high speed 14 transistor CMOS full adder cell with 50% improvement in threshold loss problem. *World Acad. Sci. Eng. Technol.*, 13: 81-85.